

AutoDrain Kit (SAD)

SAD200~400 Series

- Convenient use by attached one-touch fitting.
- Auto-drain kit for both automatic and manual operation.
- Diverse port size for drain hose allows for various options.



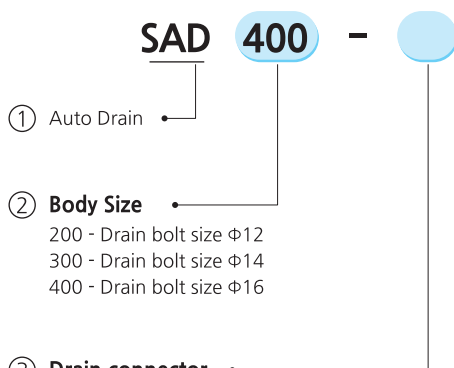
SAD200

SAD300

SAD400

SAD400-N

How to order



① Auto Drain

② Body Size

200 - Drain bolt size $\Phi 12$
300 - Drain bolt size $\Phi 14$
400 - Drain bolt size $\Phi 16$

③ Drain connector

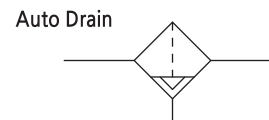
Nil - One-touch fitting

Body size	Drain guide
200	$\Phi 4$
300	$\Phi 6$
400	$\Phi 6$

N - Nipple Rc(PT) 1/8

Note) SAD200 does not have nipple type.

Symbol



Specification

Fluid	Compressed air
Max. operating pressure	10bar (1.0MPa)
Min. operating pressure	1.5bar (0.15MPa)
Max. supply pressure	15bar (1.5MPa)
Ambient and media temp.	1.5~60°C
Pressure to close drain	Greater than 0.5bar
Pressure to open drain	Less than 0.3bar

Material

- Cylinder, Cover and Buoy : Acetal
- Gaskets : NBR
- Packing and Valve : NBR
- Spring : Stainless steel
- PIF collet : Zn plated diecasting
- O-ring : NBR
- One-touch fitting, Manual pusher : Br

SAU

SAU
LARGE FLOW

SAU
HIGH PRESS.

SAW

SAW
HIGH PRESS.

SAWM
SAWD

SAF

SAF
LARGE FLOW

SAFM
SAFD

SAR

SAR
LARGE FLOW

SAR
T-HANDLE

SAR
HIGH PRESS.

SRP

SAL

SAL
LARGE FLOW

AUTO-DRAIN
KITS

SHVS

SPS100

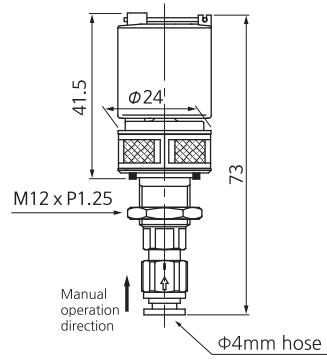
ACCESSORY

CAUTION

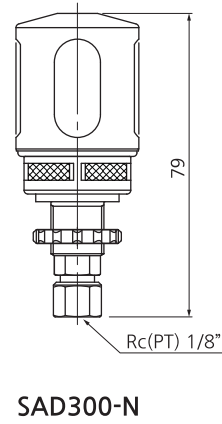
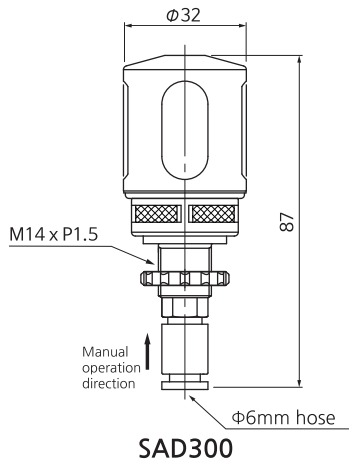
Series SAD200~400

DIMENSIONS (mm)

SAD 200



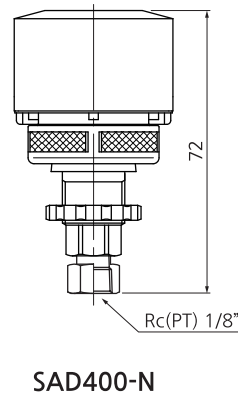
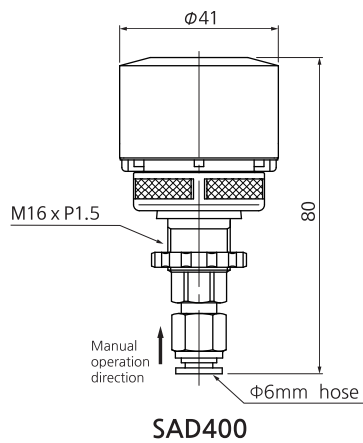
SAD 300



SAD300

SAD300-N

SAD 400



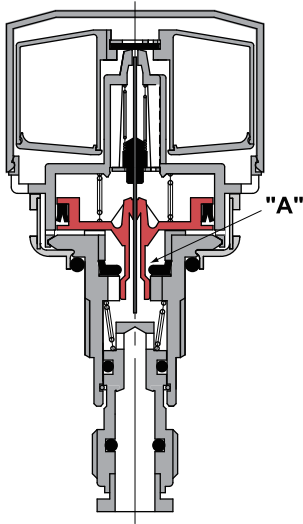
SAD400

SAD400-N

Working principle

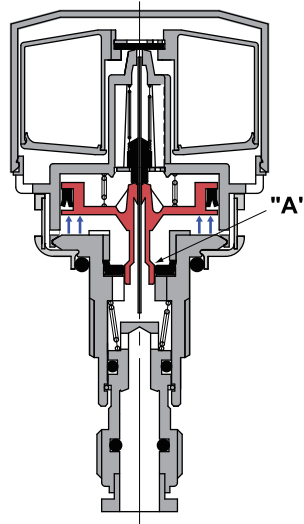
① When unpressurized up to ~0.5 bar

Spring pushes down the piston and opens "A" to drain air in the bowl.



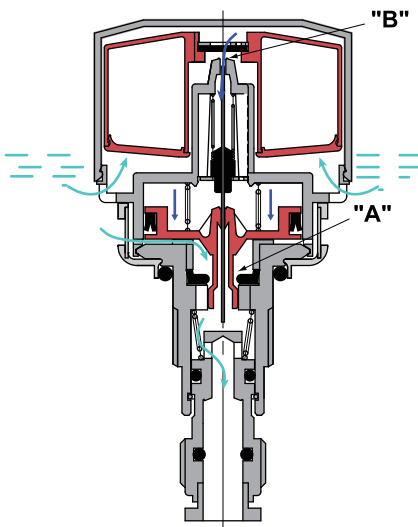
② When pressure is above 0.5 bar in the bowl

Pressure surpasses the force of spring and closes "A" to seal the bowl.



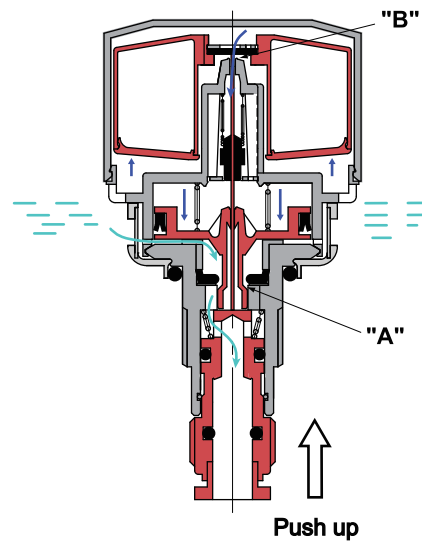
③ When there is accumulation in the bowl

Collected liquid lifts the float to open valve "B" allowing pressurized air to enter and push the piston down to open "A" to drain.



Manual Operation

When the fitting is pushed upward, float is lifted thus opening the valve "B" to let pressurized air to enter and push the piston down to open "A" to drain.



SAU

SAU
LARGE FLOWSAU
HIGH PRESS.

SAW

SAW
HIGH PRESS.SAWM
SAWD

SAF

SAF
LARGE FLOWSAFM
SAFD

SAR

SAR
LARGE FLOWSAR
T-HANDLESAR
HIGH PRESS.

SRP

SAL

SAL
LARGE FLOWAUTO-DRAIN
KITS

SHVS

SPS100

ACCESSORY

CAUTION