

# Large Flow Air Filter (SAF)

## SAF800~900 Series



SAF800



SAF900

SAU

SAU  
LARGE FLOW

SAU  
HIGH PRESS.

SAW

SAW  
HIGH PRESS.

SAWM  
SAWD

SAF

SAF  
LARGE FLOW

SAFM  
SAFD

SAR

SAR  
LARGE FLOW

SAR  
T-HANDLE

SAR  
HIGH PRESS.

SRP

SAL

SAL  
LARGE FLOW

AUTO-DRAIN  
KITS

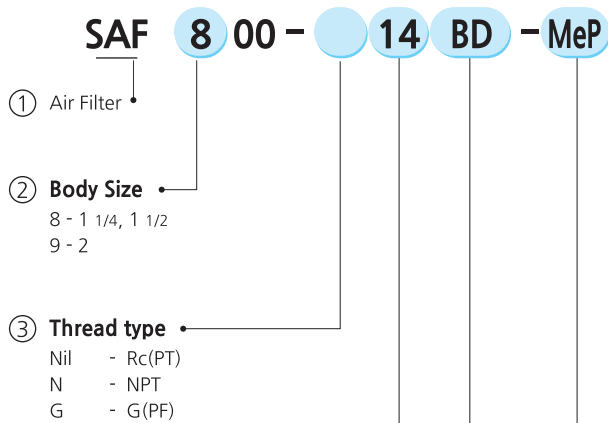
SHVS

SPS100

ACCESSORY

CAUTION

### How to order



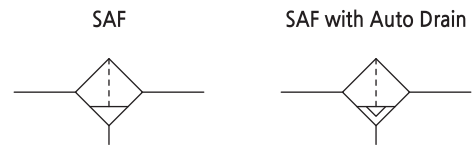
Symbol	Size	Body size	
		8	9
12	1 1/4	●	
14	1 1/2	●	
20	2		●

- ⑤ Accessory(Optional)  
Nil - None Bracket / Manual Drain  
B - Bracket  
D - Auto Drain

Symbol	Drain type	Drain connector
D	Float	One-touch fitting(Φ6mm)
Dn	Float	Nipple(PT 1/8)

- ⑥ Bowl  
Nil - PC bowl  
MeP - Metal bowl with pipe type sight glass

### Symbol



### Specification

Port size	SAF800	1 1/4, 1 1/2
	SAF900	2
Fluid	Compressed Air	
Max. operating pressure	10bar (1.0MPa)	
Max. supply pressure	15bar (1.5MPa)	
Ambient and Media temp.	-5 ~ 60°C (No freezing)	
Filtration	5µm (option: 40)	
Bowl material	Poly-carbonate (option: ALDC)	

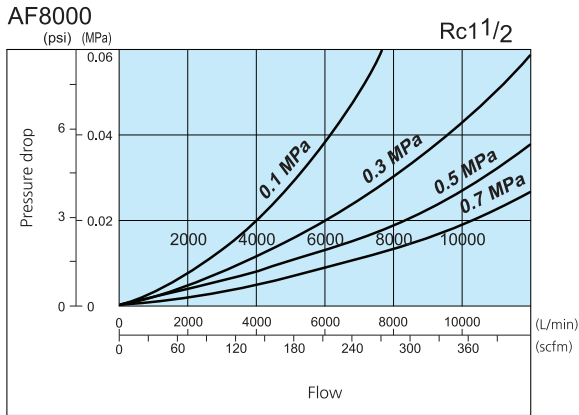
### Precautions

- ① Do not use Poly-carbonate bowls in an environment where they are exposed to or come in contact with organic solvents, chemicals, cutting oil, synthetic oil, alkali, and thread lock solutions.
- ② Components with a bowl must be installed vertically with the bowl downward so that faulty drain discharge and dripping can be verified.
- ③ When auto drain is used, drain piping should be both 4mm or greater in diameter and less than 1m in length. Avoid installing drain piping upwards.
- ④ When auto drain is used it is recommended to use at least 1.5bar pressure.
- ⑤ When auto drain is inoperable, drain manually by pushing the one-touch fitting upward.
- ⑥ Before disassembling the equipment on the compressed air side to inspect the auto drain or to replace the filter element, confirm that the pressure is set to zero.

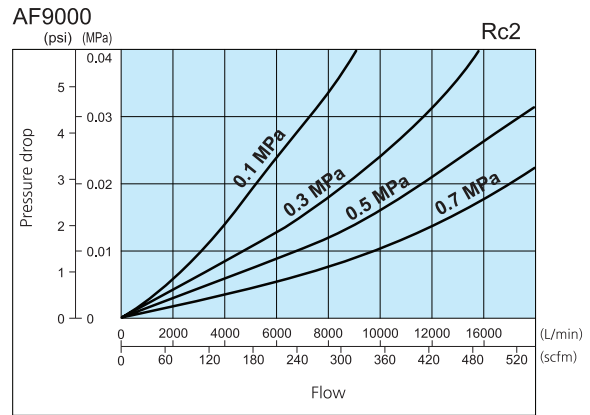
# Series SAF800~900

## FLOW CHARACTERISTICS

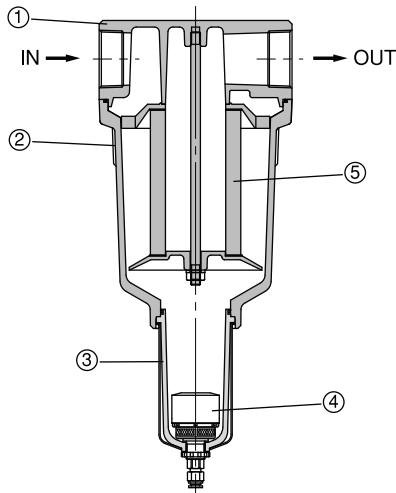
### SAF 800



### SAF 900



## STRUCTURE / PARTS



### Component Parts

No.	PARTS	MATERIAL
①	Body	ALDC
②	Housing	ALDC
③	Bowl Ass'y <sup>1)</sup>	PC
④	Auto Drain	-

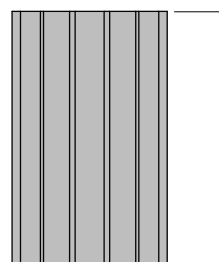
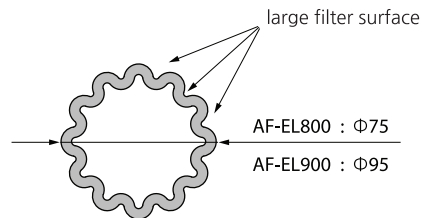
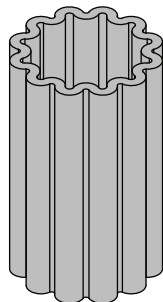
1) Bowl Ass'y comes with a bowl guard (steel band material).

### Replacement Parts

No.	PARTS	MATERIAL	Size( $\Phi$ x Height)
⑤	Element	AF-EL800	75 x 120
		AF-EL900	95 x 180

### SKP Filter for large flow

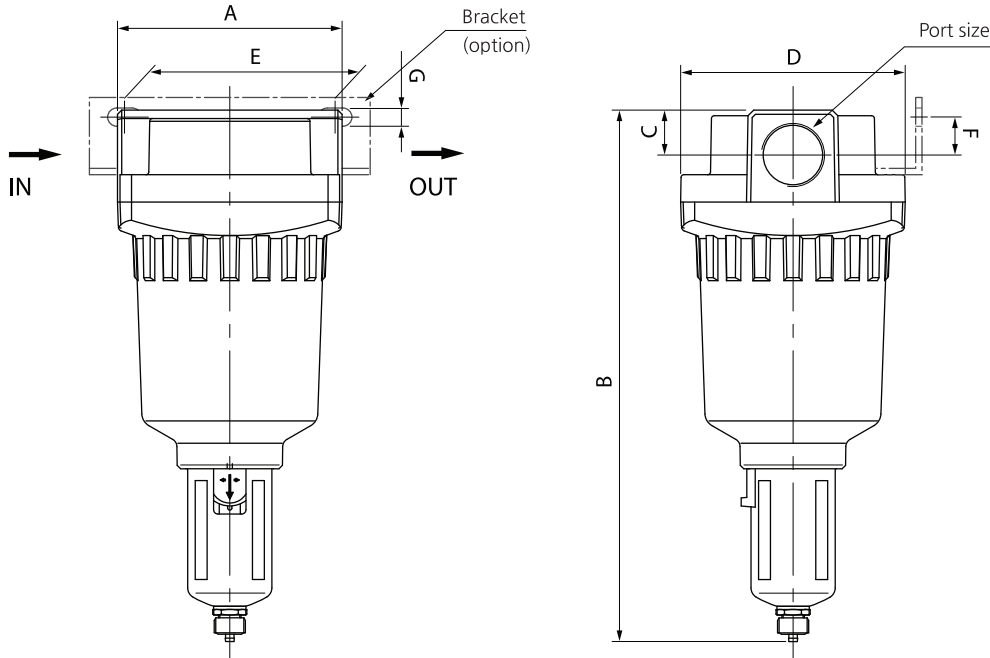
- Material : Porous plastics
- Filtration : 5 $\mu$ m (option : 40 $\mu$ m)
- Large filter surface
- Long life



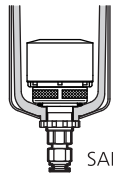
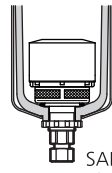
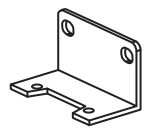
# Large Flow Air Filter

## DIMENSIONS (mm)

### SAF800~900



Model	Port size	A	B	C	D	E	F	G
SAF800	1 1/4, 1 1/2	160	378.5	32	160	150	27	13
SAF900	2	180	457	42	180	150	20	13

Option	D : Auto Drain	Dn : Auto Drain	B : Bracket
Model	 <p>SAD400 with One-touch fitting</p>	 <p>SAD400 with Nipple(1/8)</p>	 <p>SAF800 : B650 SAF900 : B850</p>

Bowl	PC Bowl		Metal Bowl		
	With D	With Dn	Manual Drain	With D	With Dn
SAF800	385.5	378.5	381.2	388.2	381.2
SAF900	464	457	459.7	466.7	459.7

- SAU
- SAU LARGE FLOW
- SAU HIGH PRESS.
- SAW
- SAW HIGH PRESS.
- SAWM SAWD
- SAF
- SAF LARGE FLOW
- SAFM SAFD
- SAR
- SAR LARGE FLOW
- SAR T-HANDLE
- SAR HIGH PRESS.
- SRP
- SAL
- SAL LARGE FLOW
- AUTO-DRAIN KITS
- SHVS
- SPS100
- ACCESSORY
- CAUTION