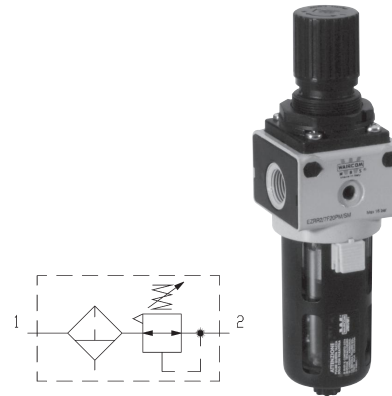


### DESCRIPTION

Filters reducers series "EZRR/F", produced with connections G 3/8, G 1/2 and G 1, combine the characteristics of the filters and of the pressure reducers series "EZ", thus optimizing the overall dimensions.

### TECHNICAL DATA

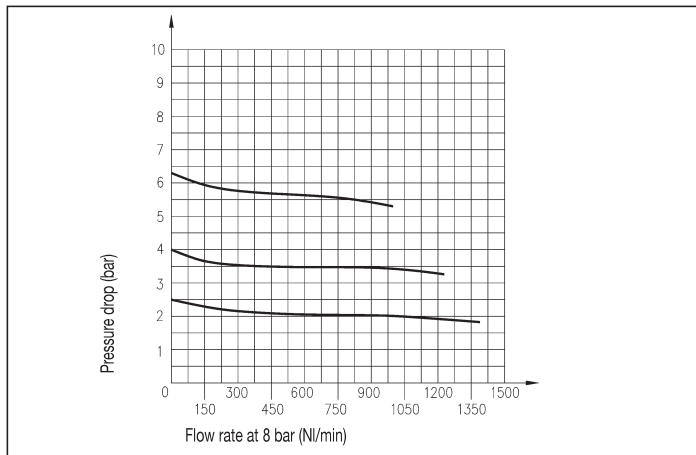
Maximum pressure	16 bar
Working temperature	0 ÷ +50 °C (-10 °C with dry air)
Fluid	Compressed air
Port size	G 3/8 - G 1/2 - G 1
Pressure gauge port size	G 1/8
Void fraction	G 3/8 - G 1/2: 20 µm standard, 5 µm and 40 µm on request G 1: 40 µm standard
Condensate drainage system	G 3/8: Manual or semi-automatic G 1/2 - G 1: Manual, semi-automatic or automatic
Max. condensate capacity	G 3/8 = 23 cm <sup>3</sup> G 1/2 = 58 cm <sup>3</sup> G 1 = 105 cm <sup>3</sup> (do not exceed the level gauge)
Adjusting range (bar)	0,2 ÷ 2 - 0,4 ÷ 4 - 0,8 ÷ 8
Type of mounting	Modular, in-line, wall and panel mounting
Wall clamping screws	G 3/8: M4x60 G 1/2: M5x70 G 1: M6x90



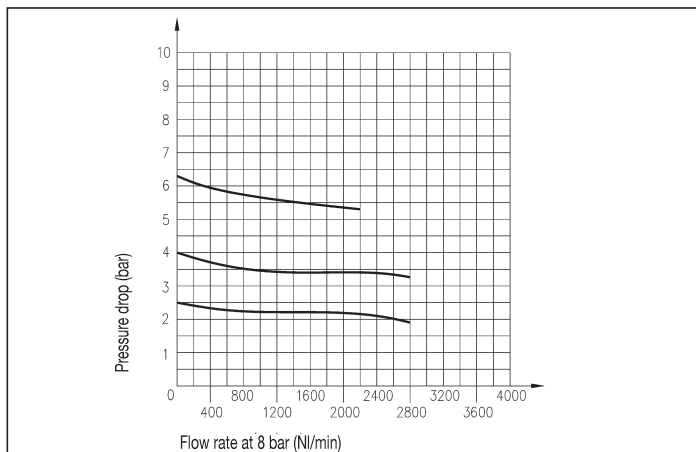
### MATERIALS

Body	Aluminium alloy
Bowl	G 3/8: Transparent techno-polymer (protection made of glass stiffened polyamide on request) G 1/2 - G 1: Transparent techno-polymer with metallic protection as standard
Filtering element	G 3/8 - G 1/2: Sintered polyethylene G 1: Sintered porous bronze
Seals	NBR rubber
Baffle	Acetal resin
Closing plug	Brass, NBR rubber
Spring	Stainless steel
Knob	Acetal resin
Adjusting screw	Brass
Diaphragm	Brass, friction

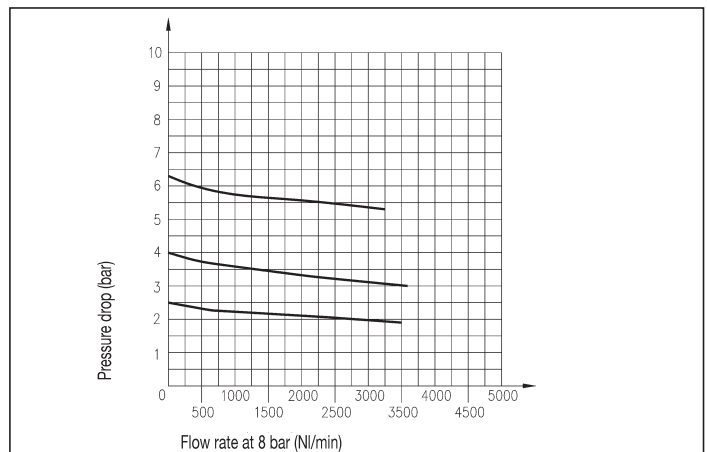
### FLOW CHART - EZRR /F G 3/8



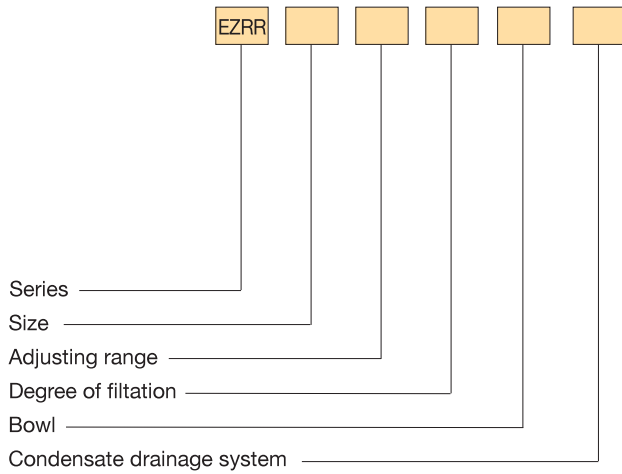
### FLOW CHART - EZRR /F G 1/2



### FLOW CHART - EZRR /F G 1



## ORDER KEY



## SIZE

3	G 3/8	2	G 1/2
1	G 1		

## ADJUSTING RANGE

/3	0,2 ÷ 2 bar	/5	0,4 ÷ 4 bar
/7	0,8 ÷ 8 bar		

## DEGREE OF FILTRATION

F5	5 µm*	F20	20 µm
F40	40 µm		

## BOWL

Trasparent	PM	Protection**
------------	----	--------------

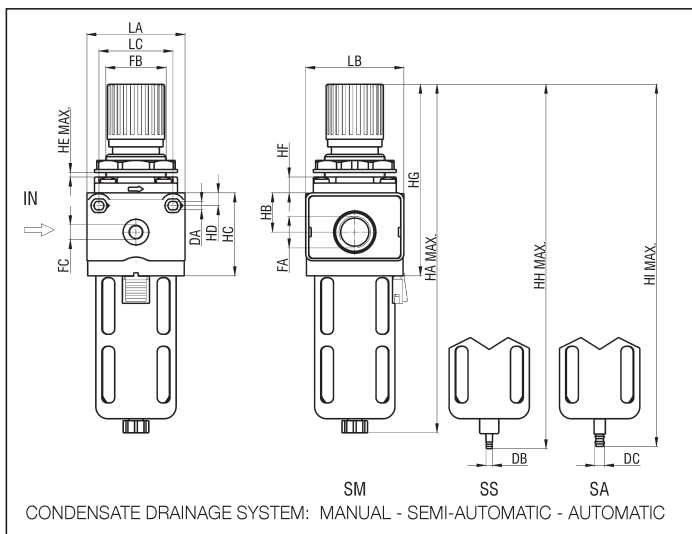
## CONDENSATE DRAINAGE SYSTEM

/SM	Manuale	/SS	Semi-automatic
/SA	Automatic***		

## SPARE PARTS

See series "EZP" (on page 4.13) and "EZRR" (on page 4.15)

## DIMENSIONS AND WEIGHTS EZRR /F



SIZE	DA	DB	DC	FA	FB	FC	HA	HB	HC	HD
3	4,5	G 1/8	-	G 3/8	M30x1,5	G 1/8	193	21	52	6
2	5,5	Ø 4,3	Ø 6,5	G 1/2	M40x1,5	G 1/8	231	26	55	8,5
1	6,6	G 1/8	Ø 6,5	G 1	-	G 1/8	337	31	76	9

SIZE	HE	HF	HG	HH	HI	LA	LB	LC	WEIGHT (g)
3	4	6	99	197	-	55	50	40	550
2	7	10,5	127	242	240	65	65	42	610
1	-	14	194,5	341	332	85	82	60	2790

\* Available only for sizes 3 and 2

\*\* Metallic as standard for sizes 2 and 1, made of glass stiffened polyamide on request for size 3

\*\*\* Available only for sizes 2 and 1

P.S.: Filters reducers can be supplied without the relieving seal on request; the series becomes "EZR..."