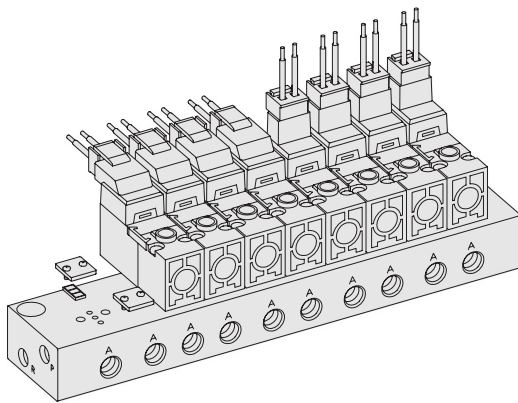
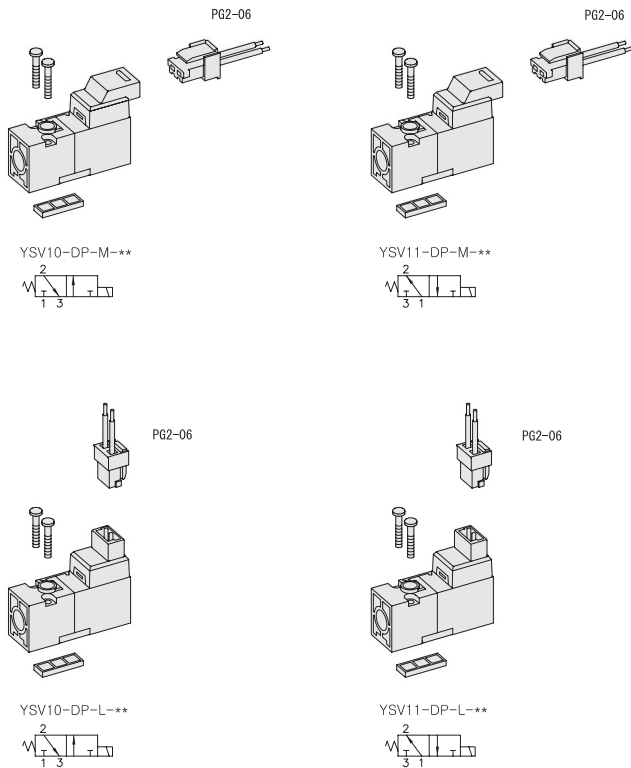


YSV10

Direct Actuated
10mm Pico Solenoid Valves

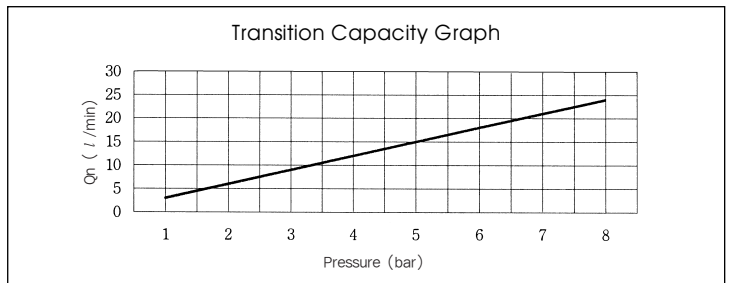
- 3/2- Direct Operation Type
- Manifold Mounting Type
- Orifice \varnothing 0.6mm



** : Voltage Selection

SPECIFICATION

ITEM	FUNCTION	YSV10	YSV11
	Fluids		Compressed Air & Inert Gases
Pressure(bar)		1~8.0	
Orifice(mm)		P = \varnothing 0.6, R = \varnothing 0.7	
Ambient & Fluid Temp.		5~60°C (41~140°F)	
Response Time(5bar)		10ms or Less	
Max. Working Frequency		30c/sec	
Lubrication		Not Required(Use ISO VG32#)	
Manual Override		Push Button	
Coil Insulation Class		F-Class or Equivalent	
Permissible Voltage Variation		\pm 10% of Rated Voltage	
Off Min. Residual Voltage		10% of Rated Voltage	
Power Consumption		0.65W(24V : 27.0mA / 12V : 54.0mA)	



- ### The Material of Parts
- Pilot Parts : Glass Filled Nylon
 - Spring : Stainless
 - Seals : NBR
 - Armature : Stainless Steel
 - Indicator Cap : Polycarbonate

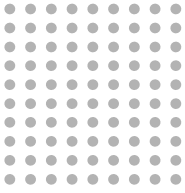
<p>Plug Connector With Clip</p> <p>Ordering Code PG2-06 (L : 600mm) PG2-10 (L : 1,000mm)</p>	<p>Blanking Plate (Material : STS304)</p> <p>Ordering Code YMF10 - BLK</p>
---	---

※ The specification on each item can be amended without any prenotice to improve a performance.
※ The specification on each item can be different from actual specification.

ORDERING NO.

YSV1 0 - D P - L - D4

Valve Series	Function	Pilot Source	Manual Operator	Solenoid Coil Type	Voltage
YSV1 : Solenoid Valve	0 3/2 Normally Closed Spring Return 1 3/2 Normally Open Spring Return	D Direct Operated	P Push Non-Locking	L 90 Degree Plug-in Wire Assembly With LED M 180 Degree Plug-in Wire Assembly With LED	D4 DC 24V D2 DC 12V



YSV10-DP-M-***
Normally Closed Type

YSV11-DP-M-***
Normally Open Type

YSV10-DP-L-***
Normally Closed Type

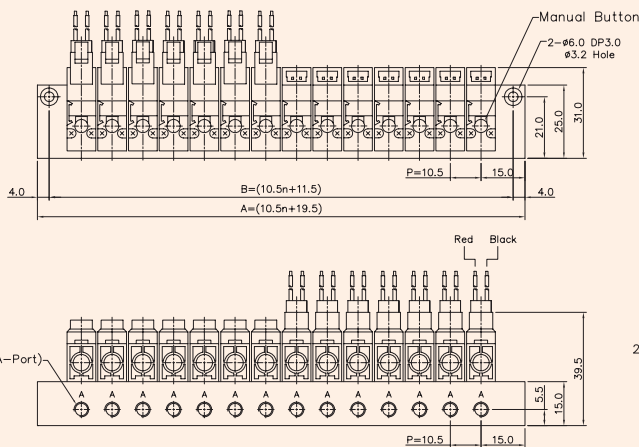
YSV11-DP-L-***
Normally Open Type

YMF10-M04

(Sealing Area)

YMF10 MANIFOLD BLOCK

(YSV10 Solenoid Valve Use)



3-PORT MANIFOLD BLOCK DIMENSION		n=STATION													
ITEM	n	2	3	4	5	6	7	8	9	10	11	12	13	14	
B		32.5	43.0	53.5	64.0	74.5	85.0	95.5	106.0	116.5	127.0	137.5	148.0	158.5	
A		40.5	51.0	61.5	72.0	82.5	93.0	103.5	114.0	124.5	135.0	145.5	156.0	166.5	

Manifold Block Ordering Code

YMF 10		-		2	
Symbol	Manifold Station				
YMF10	3 Way	02	2-Station		
		04	4-Station		
		06	6-Station		
		08	8-Station		
		10	10-Station		
		12	12-Station		
		14	14-Station		

Blanking Plate Ordering Code

YMF10-BLK

Blanking Plate.
(Material: STS304)

Manifold Gasket.
(Material: NBR)

Normally Closed Type

Normally Open Type

